

Charcoal – Thin Film



High-efficiency Australian-Certified Building-integrated photovoltaic (BIPV) module.

Provide savings in materials and electricity costs, reduce greenhouse gases, and add aesthetic architectural features to the building

**Improve
Building
Sustainability**

**Create
Cost-saving
Opportunities**

**Mimic
Building
materials**



Low carbon
footprint



Aesthetic



Certified in Australia
as a building material



Excellent thermal
insulation

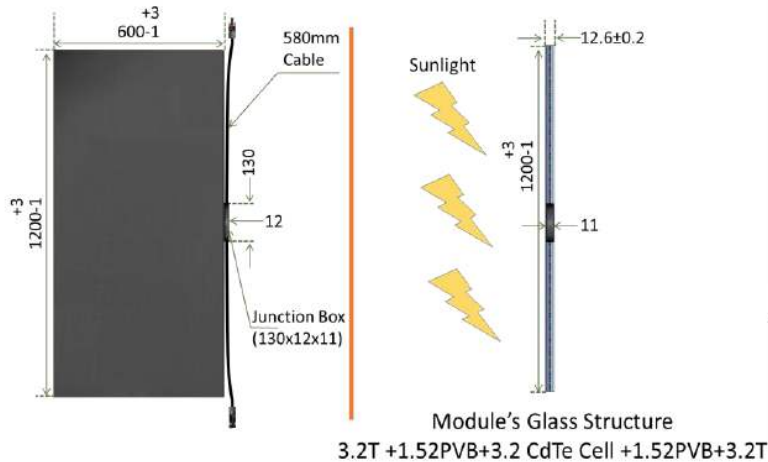


Durable and
Shatter-proof



Energy saving

Charcoal – Thin Film



CdTe Charcoal BIPV module AST-CHR00094

Specifications

Electrical Specifications

(at STC: 1000W/m², 25°C, AM1.5)

Nominal Power (P _m), W	94.01
Open Circuit Voltage (V _{oc}), V	119.00
Voltage at max. Power (V _m), V	91.90
Current at max. Power (I _m), A	1.02

System Properties (at STC)

Maximum System Voltage, V	V _{sys}	1000 (600UL)
Limiting Reverse Current, A	I _R	3
Maximum Series Fuse, A	I _{CF}	3

Temperature Coefficients (at STC)

Temperature Coefficients of I _{sc} , %/°C	0.06
Temperature Coefficients of V _{oc} , %/°C	-0.321
Temperature Coefficients of P _m , %/°C	-0.214
Operating Temperature range, °C	-40 to 85

Mechanical Specifications

Length	1200mm
Width	600mm
Thickness	12.6mm
Area	0.72m ²
Weight	20.0kg
Frame	None
Lead Cable	2.5mm ² 580mm
Connectors	MC4
Bypass Diode	6A
Cell Type	CdTe
Module structure	3.2mm+3.2mm+Cells+3.2mm
Cover Glass	Tempered
Back Glass	Tempered
Encapsulation	PVB

Packaging Configuration

Modules Per Pallet	30 PCS
Pallet Weight	680 kg
Pallet Dimensions	1260mmx1080mmx790mm
Modules Per 40' Container	1080 PCS

Warranty:

- 10 years materials and workmanship.
- 25 years power output guarantee for:
 - 90% of nominal output during 1st 10 years & 80% over 25 years
 - End-of-life modules will be collected&recycled by AST at no cost

Alpha Solar Technologies Pty Ltd

Unit 1/93A Leach Hwy, Kewdale WA 6105,
Australia.

www.alphasolartech.com

Email: sales@alphasolartech.com.au

Tel: +61-8-6239 0230